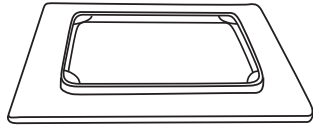


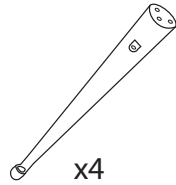
Part # DT-TW-ORTB

15-0211

PARTS



A



x4

B



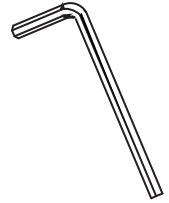
C



(M6 x 16mm)

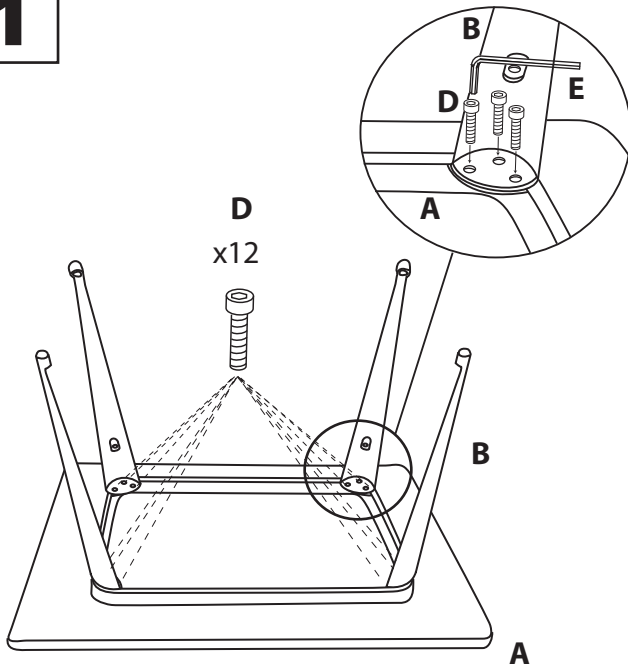
x16

D

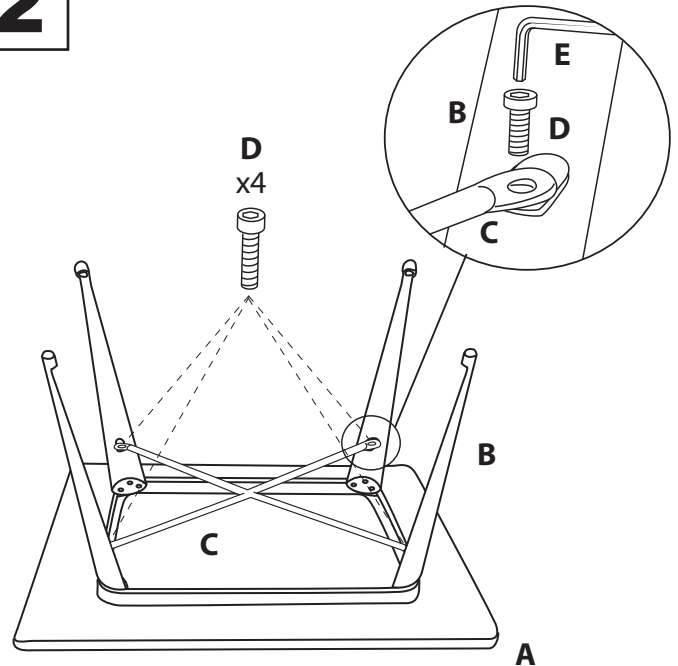


E

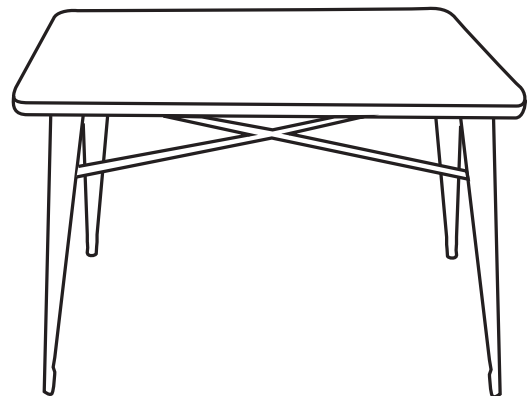
1



2



3



Do not over tighten.
Do not use power tools to assemble.